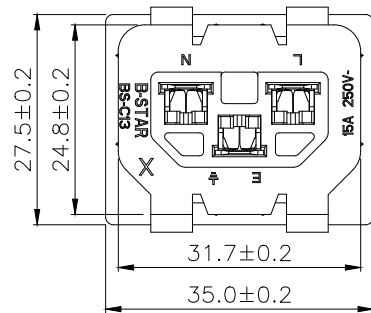
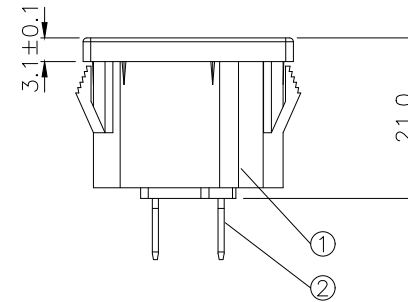
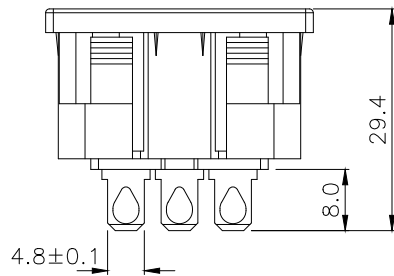


PANEL CUTOUT



Approvals :UL; CUL; ENEC; CCC

Part No.	Color
BS-C13-1AB-0048A	Black
BS-C13-1AY-0048A	Yellow
BS-C13-1AR-0048A	Red
BS-C13-1AL-0048A	Blue
BS-C13-1AW-0048A	White
BS-C13-1AI-0048A	Rice white

2	Soldering PIN 0.8t Tin-Plated	3
1	Body Insulator PC	1
5		
4		
3		
2		
1	ORIGINAL	2017-05-02
NO.	DESCRIPTION	APPROVED
		DATE

GENERAL TOLERANCE(PLASTICS)	
GRADATION	TOLERANCE
X	±0.4
X.X	±0.3
X.XX	±0.1
ANGLE	±1'

Approved	Checked	Designed	Drawn
Andy-Lee	Dick	Champion	Champion
SHENZHEN B-STAR TEC. CO., LTD			

ALL SIZE ARE IN	MM
SCALE	1.000
MATERIAL NO.	
BS-C13-1A#-0048A	
Series(新模)	

	DRAWING NO.
	2017C002